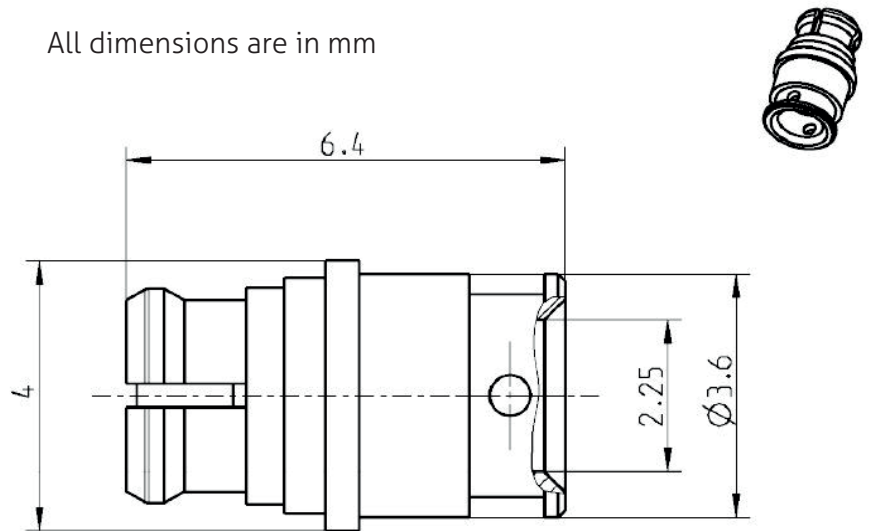


SMP-21085-40GHz (straight jack)

All dimensions are in mm



ROHS & REACH CONFORM

MATERIAL AND FINISH

CENTER CONTACT	CUBE, AURODUR, GOLD PLATED
OUTER CONTACT	CUBE, AURODUR, GOLD PLATED
DIELECTRIC	PTFE

For more information about the products, please scan the code and get the information from our website.



el-spec GmbH
Lauterbachstr. 23c
82538 Geretsried

Tel: 08171/4357-23
sales@elspecgroup.de
www.elspecgroup.de

INFORMATION | ARTICLE NUMBER: 17201 | CABLE TYPE: SEMIRIGID

ELECTRICAL CHARACTERISTICS

IMPEDANCE	50Ω
FREQUENCY RANGE	DC to 40 GHz
RETURN LOSS	≥ 31 dB, DC to 4 GHz ≥ 29 dB, 4 to 16 GHz ≥ 17 dB, 16 to 40 GHz
INSERTION LOSS	≤ 0.01 x √f (GHz) dB, DC to 18 GHz
INSULATION RESISTANCE	≥ 5 GΩ
CENTER CONTACT RESISTANCE	≤ 6.0 mΩ
OUTER CONTACT RESISTANCE	≤ 2.0 mΩ
TEST VOLTAGE	500 V RMS
WORKING VOLTAGE	335 V rms
CONTACT CURRENT	1.2A DC MAX.
WEIGHT	0.22 g/pce

MECHANICAL CHARACTERISTICS

	smooth bore	limited detent	full detent
MATING CYCLES IF MATING PART IS:	≥ 1000	≥ 500	≥ 100
ENGAGEMENT FORCE	9 N max.	45 N max.	68 N max.
DISENGAGEMENT FORCE	2.2 N min.	9 N min.	22 N min.
CENTER CONTACT CAPTIVATION	≥ 7 N		

ENVIROMENTAL CHARACTERISTICS

TEMPERATURE RANGE	-65°C TO +155°C
THERMAL SHOCK	MIL-STD-202, METH. 107, COND. B
VIBRATION	MIL-STD-202, METH. 204, COND. B
SHOCK	MIL-STD-202, METH. 213, COND. A
MOISTURE RESISTANCE	MIL-STD-202, METH. 106

For more information about the products, please scan the code and get the information from our website.



el-spec GmbH
Lauterbachstr. 23c
82538 Geretsried

Tel: 08171/4357-23
sales@elspecgroup.de
www.elspecgroup.de