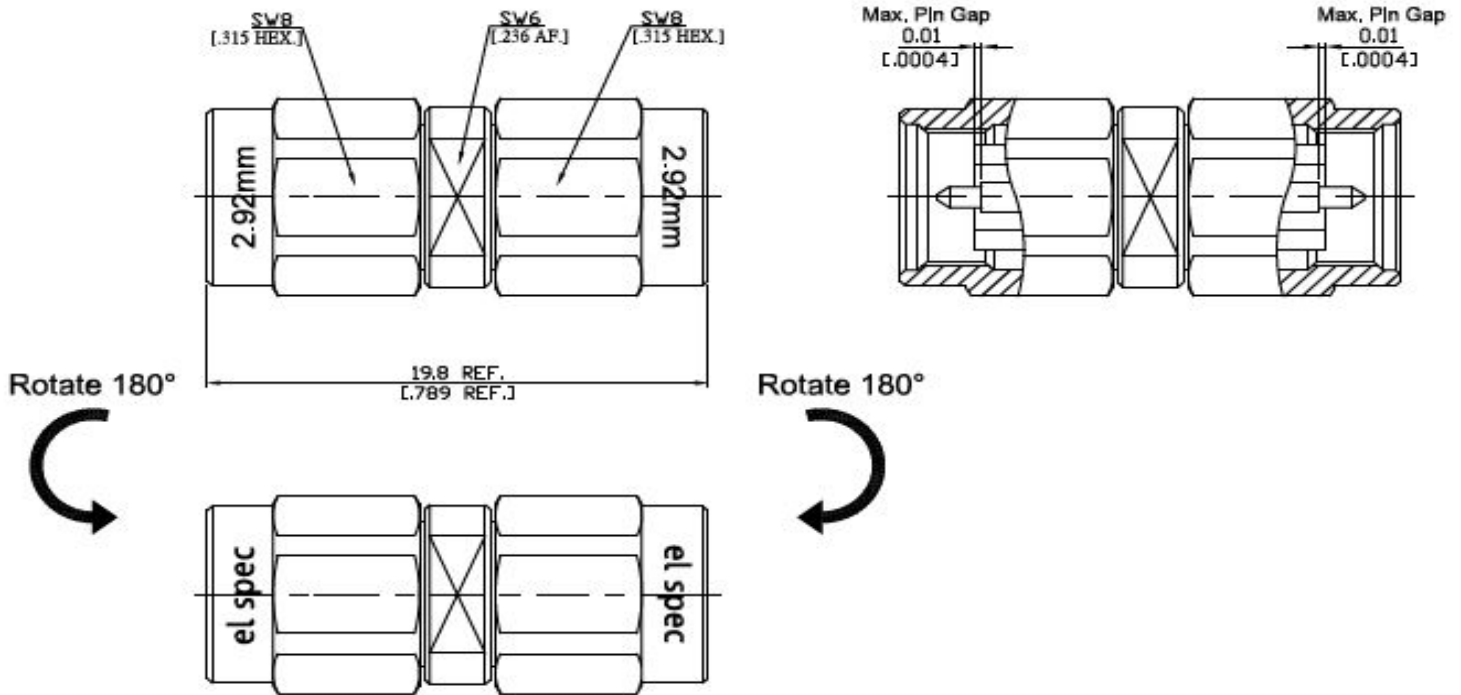


INFORMATION | ARTICLE NUMBER: 21733 | CABLE TYPE: /

2.92mm Plug to 2.92mm Plug Adapter



INTERFACE

MECHANICALLY COMPATIBLE WITH	3.5 mm, SMA
ACCORDING TO	IEC 61169-35, IEEE Std 287-2007

ELECTRICAL CHARACTERISTICS

IMPEDANCE	50 Ohms.
FREQUENCY RANGE	DC TO 40 GHz
VSWR (Return Loss)	≤ 1.15 (≥ 23.13 dB)
INSERTION LOSS	$\leq 0.04 \times \sqrt{f}$ (GHz) dB
INSULATION RESISTANCE	≥ 5 GOhms
TEST VOLTAGE (SEA LEVEL)	750 Vrms
WORKING VOLTAGE (AT SEA LEVEL)	250 Vrms
RF LEAKAGE (DC - TBD GHz)	≥ 100 dB up to 1 GHz

INFORMATION | ARTICLE NUMBER: 21733 | CABLE TYPE:

MATERIAL AND FINISH

CENTER CONTACT	Beryllium copper, Gold plating, 3 µinch (non-magnetig 80 µinch)
BODY	Stainless steel, passivated
INSULATOR	PEI
GASKET	Silicon Rubber
COUPLING NUT	Stainless Steel, passivated

MECHANICAL CHARACTERISTICS

COUPLING MECHANISM	Screw-lock
MATING CYCLES	≥ 500
COUPLING NUT RETENTION	N/A
CENTER CONTACT CAPTIVATION: AXIAL	≥ 20 N
WEIGHT	0.0040 kg
COUPLING TEST TORQUE	1.70 Nm max.
RECOMMENDED MATING CONNECTOR TORQUE	0.9 Nm

ENVIROMENTAL CHARACTERISTICS

TEMPERATURE RANGE	-60°C TO +165°C
THERMAL SHOCK	MIL-STD-202. METHOD 107, CONDITION B
CORROSION	MIL-STD-202, METHOD 101, CONDITION B
VIBRATION	MIL-STD-202, METHOD 204, CONDITION D
SHOCK	MIL-STD-202, METHOD 213, CONDITION I
MOISTURE RESISTANCE	MIL-STD-202, METHOD 106
ROHS	complaint

For more information about the products, please scan the code and get the information from our website.



el-spec GmbH
Lauterbachstr. 23c
82538 Geretsried

Tel: 08171/4357-0
sales@elspecgroup.de
www.elspecgroup.de